



## Modular valve island for pneumatics

- Compact design
- Modular configuration
- Higher flexibility in control cabinet due to AirLINE Quick
- Simple exchange of valves (with option “P-shut-off” – also possible during operation)

Product variants described in the data sheet may differ from the product presentation and description.

### Can be combined with

|   |   |   |
|---|---|---|
|   | <b>Type 6524</b><br>3/2-way or 2 x 3/2-way solenoid valve for pneumatic applications                          | ▶ |
|  | <b>Type 6525</b><br>5/2-way solenoid valve for pneumatic applications   | ▶ |
|  | <b>Type 8614</b><br>Pneumatic control cabinet solutions for hygienic process environments                     | ▶ |
|  | <b>Type 0498</b><br>Double pilot controlled check valve for realising 5/3-way function with all ports blocked | ▶ |
|  | <b>Type 2000</b><br>Pneumatically operated 2/2-way angle seat valve CLASSIC                                   | ▶ |

### Type description

The 8640 valve unit system is designed to solve diverse and complex control problems due to its systematic modular construction and combination of pneumatic and electrical interfaces. By putting together a row of pneumatic modules with different numbers of valves, 2 to 24 valve functionalities may be realized on one valve unit. Electrical connectivity is achieved by either fieldbus interfaces, common connection (parallel connection technique) or multipin interfaces. The valves allow different applications to be covered. Bodies and connection modules are made of high-quality plastic (polyamide) and are easy to assemble by means of the built-in snap connectors.

DTS 1000049870 EN Version: U Status: RL (released | freigegeben | validé) printed: 04.10.2023

## Table of contents

|   |           |
|---|-----------|
| <b>1. General technical data</b>                        | <b>4</b>  |
| 1.1. General data.....                                  | 4         |
| 1.2. Solenoid valves Type 6524 and Type 6525.....       | 6         |
| 1.3. Solenoid valves Type 0460 .....                    | 7         |
| 1.4. Solenoid valves Type 6526 and Type 6527 .....      | 8         |
| 1.5. Solenoid valve Type 5470 .....                     | 9         |
| 1.6. AirLINE Quick.....                                 | 10        |
| <b>2. Product versions</b>                              | <b>11</b> |
| 2.1. Notes on compatibility and revision levels.....    | 11        |
| 2.2. Distinguishing features.....                       | 11        |
| Valve island .....                                      | 11        |
| Module .....  | 12        |
| Valves .....  | 12        |
| <b>3. Circuit functions</b>                             | <b>13</b> |
| 3.1. Standard functions.....                            | 13        |
| 3.2. SIA variant.....                                   | 13        |
| <b>4. Approvals and conformities</b>                    | <b>14</b> |
| 4.1. General notes.....                                 | 14        |
| 4.2. Conformity .....                                   | 14        |
| 4.3. Standards.....                                     | 14        |
| 4.4. Explosion protection .....                         | 14        |
| 4.5. North America (USA/Canada) .....                   | 14        |
| <b>5. Materials</b>                                     | <b>14</b> |
| 5.1. Bürkert resistApp .....                            | 14        |
| <b>6. Dimensions</b>                                    | <b>15</b> |
| 6.1. Pneumatics 11 mm width per station .....           | 15        |
| 6.2. Pneumatics 16 mm width per station .....           | 16        |
| <b>7. Device/Process connections</b>                    | <b>17</b> |
| 7.1. Collective line modules and multipol modules ..... | 17        |
| 7.2. Fieldbus modules.....                              | 17        |
| <b>8. Product design and assembly</b>                   | <b>18</b> |
| 8.1. Product assembly .....                             | 18        |
| Electronics .....                                       | 18        |
| Pneumatics 11 mm width per station .....                | 19        |
| Pneumatics 16 mm width per station .....                | 20        |
| AirLINE Quick adapter .....                             | 21        |
| Type 8640 programme .....                               | 22        |
| <b>9. Ordering information</b>                          | <b>22</b> |
| 9.1. Bürkert eShop.....                                 | 22        |
| 9.2. Bürkert product filter.....                        | 22        |
| 9.3. Ordering chart replacement valves .....            | 23        |
| Solenoid valves Type 6524 and Type 6525.....            | 23        |
| Solenoid valves Type 0460 .....                         | 24        |
| Solenoid valves Type 6526 and Type 6527 .....           | 25        |

DTS 1000049870 EN Version: U Status: RL (released | freigegeben | validé) printed: 04.10.2023

|      |  |    |
|------|--|----|
|      | Solenoid valves Type 5470 .....  | 26 |
| 9.4. | Ordering chart accessories .....   | 27 |
|      | Cover plate .....  | 27 |
|      | Blind plates AirLINE Quick .....   | 27 |
|      | Bus Y-piece .....  | 27 |
|      | RIO cable for bus extension .....  | 27 |
| 9.5. | Ordering chart spare parts .....   | 28 |
|      | Spare parts SWI for Type 8640, REV1, REV2 – Pneumatics 11 mm width per station ..... | 28 |
|      | Spare parts SWI for Type 8640, REV1, REV2 – Pneumatics 16 mm width per station ..... | 29 |
|      | Spare parts SWI for Type 8640, REV3 – Pneumatics 11 mm width per station .....       | 30 |
|      | Spare parts SWI for Type 8640, REV3 – Pneumatics 16 mm width per station .....       | 32 |

DTS 1000049870 EN Version: U Status: RL (released | freigegeben | validé) printed: 04.10.2023

# 1. General technical data

## 1.1. General data

**Note:**

Further information can be found in chapter:

- Type 6524, 6525 “1.2. Solenoid valves Type 6524 and Type 6525” on page 6
- Type 0460 “1.3. Solenoid valves Type 0460” on page 7
- Type 6526, 6527 “1.4. Solenoid valves Type 6526 and Type 6527” on page 8
- Type 5470 “1.5. Solenoid valve Type 5470” on page 9

| Product properties   | Type 0460, Type 6524, Type 6525  | Type 6526, Type 6527  | Type 5470   |
|--|--|---|---|
| Dimensions   | Further information can be found in chapter “6. Dimensions” on page 15.  |   |   |
| <b>Material</b>  |  |   |   |
| Body   | PA (polyamide), aluminium (Type 0460)  | PA (polyamide), aluminium   | PA (polyamide)  |
| Seal   | FKM, NBR and PUR   | NBR   | NBR   |
| Maximum installation width of a valve island                   | Further information can be found in chapter “6. Dimensions” on page 15.  |   |   |
| Width per station  | 11 mm  | 16.5 mm   | 19 mm   |
| Manual override  | Standard   | Standard  | Standard  |
| Number of valve positions                                      | For single valves: 24<br>For impulse and double valves: max. 12  | Max. 24   | Max. 24   |
| Maximum number of valve functions                              | Max. 24  | Max. 24   | Max. 24   |
| Switching function/<br>Operating principle <sup>1)</sup>       | Further information can be found in chapter “3. Circuit functions” on page 13.   |   |   |
| Pneumatic intermediate supply                                  | Possible via centre feed plate on a valve position   | Possible via centre feed plate on a valve position  | Possible via centre feed plate on a valve position  |
| <b>Performance data</b>  |  |   |   |
| Pressure data  | Overpressure to atmospheric pressure   | Overpressure to atmospheric pressure  | Overpressure to atmospheric pressure  |
| Pressure range   | Vac....to 10 bar   | Vac....to 10 bar  | 2...10 bar  |
| External supply air (auxiliary pilot air)                      | 2.5 bar (0460: not possible)   | > 2 bar   | Not possible  |
| Flow rate Q <sub>Nn</sub> value air                            | 300 l/min measured at +20 °C, 6 bar pressure at valve inlet and 1 bar differential pressure  | 500...700 l/min measured at +20 °C, 6 bar pressure at valve inlet and 1 bar differential pressure | 300 l/min measured at +20 °C, 6 bar pressure at valve inlet and 1 bar differential pressure |
| Flow rate Q <sub>Nn</sub> value air with integrated P shut-off | Flow reduced by approximately 25 %   | N/A   | N/A   |
| Nominal operating mode   | Continuous operation, 100 % duty cycle   | Continuous operation, 100 % duty cycle  | Continuous operation, 100 % duty cycle  |
| Switching time   | Measured according to ISO 12238  | Measured according to ISO 12238   | Measured according to ISO 12238   |
| <b>Electrical data</b>   |  |   |   |
| Operating voltage  | 24 V DC  | 24 V DC   | 24 V DC   |
| Voltage tolerance  | ± 10 %   | ± 10 %  | ± 10 %  |
| Residual ripple (at DC)  | 1 Vss  | 1 Vss   | 1 Vss   |
| Nominal power of each valve                                    | For single valves: 0.8 W<br>For impulse and double valves: 2x 0.8 W with power reduction   | 2 W, 1 W  | 1 W, 2 W, 3 W   |
| Nominal current of each valve                                  | See total current  | See total current   | See total current   |
| Position feedback  | Max. 32  | Max. 32   | Max. 32   |
| Protection class   | III according to VDE 0580  | III according to VDE 0580   | III according to VDE 0580   |
| <b>Total current</b>   | <b>Depending on the electrical connection technology</b>   |   |   |
| With common collective connection                              | Max. 3 A (total current of the individual valves)  |   |   |
| With multipole connection                                      | Max. 3 A (total current of the individual valves) + max. 3 A (repeater)  |   |   |
| With fieldbus connection                                       | $I_{TOTAL} = I_{BASE} + (n \times I_{VALVE}) + (m \times I_{REPEATER})$ n=quantity of valves, m=quantity of repeaters, I <sub>VALVE</sub> = rated current of each valve<br>I <sub>REPEATER</sub> = rated current of each repeater, m x I <sub>REPEATER</sub> =max. 650 mA, I <sub>BASE</sub> =200 mA specific base current Profibus-DP |   |   |

DTS 1000049870 EN Version: U Status: RL (released | freigegeben | valide) printed: 04.10.2023

| <b>Medium data</b>                                 |  |  |  |
|--|--|--|--|
| Operating medium                                   | Oil-free or lubricated compressed dry air, neutral gases (5 µm filter recommended)   | Oil-free or lubricated compressed dry air, neutral gases (5 µm filter recommended)   | Oil-free or lubricated compressed dry air, neutral gases (5 µm filter recommended)   |
| Compressed air quality                             | ISO 8573 - 1: 2010, Class 7.4.4  | ISO 8573 - 1: 2010, Class 7.4.4  | ISO 8573 - 1: 2010, Class 7.4.4  |
| <b>Approvals and conformities</b>                  |  |  |  |
| Degree of protection                               | IP20<br>IP65 in closed control cabinets  | IP20<br>IP65 in closed control cabinets  | IP20<br>IP65 in closed control cabinets  |
| Explosion protection                               | Further information can be found in chapter <a href="#">“4.4. Explosion protection”</a> on page 14                                 |  |  |
| North America (USA/Canada)                         | Further information can be found in chapter <a href="#">“4.5. North America (USA/Canada)”</a> on page 14                           |  |  |
| <b>Process/Port connection &amp; communication</b> |  |  |  |
| Working port                                       | D 6, D ¼   | D 8  | D6, SL 6/4, G ⅛  |
| Air supply connection                              | G ¼, D ⅜   | G ⅜  | G ¼, G ⅛, NPT ¼, D10, D8   |
| Communication module                               | ME01   | ME01   | ME01   |
| Communication interface                            | Collective connection (parallel connections) / Multipole (D-Sub, 25-pin) / PROFIBUS-DP / PROFINET<br>IO / EtherNet/IP / Modbus TCP | Collective connection (parallel connections) / Multipole (D-Sub, 25-pin) / PROFIBUS-DP / PROFINET<br>IO / EtherNet/IP / Modbus TCP | Collective connection (parallel connections) / Multipole (D-Sub, 25-pin) / PROFIBUS-DP / PROFINET<br>IO / EtherNet/IP / Modbus TCP |
| <b>Environment and installation</b>                |  |  |  |
| Installation position                              | As required, preferably with actuator upright  | As required, preferably with actuator upright  | As required, preferably with actuator upright  |
| Storage temperature                                | -20...+60 °C   | -20...+60 °C   | -20...+60 °C   |
| Ambient temperature                                | 0...+55 °C<br>(with Type 0460: 0...+50 °C)   | 0...+55 °C<br>(with Type 0461: 0...+50 °C)   | 10...+55 °C  |

1.) The maximum flow rate depends on the valve function.

1.2. Solenoid valves Type 6524 and Type 6525



- The pilot valves **Type 6524** ▶ (single and double valve) and **Type 6525** ▶ (single valve) consist of a pilot flipper solenoid valve Type 6144 and a pneumatic seat valve.
- The operating principle allows switching of high pressures with low power consumption and short switching times.
- The pilot valves are equipped with a manual override as standard.
- The pneumatic flange pattern of the pilot valves Type 6524 and 6525 (single valves) for Type 8640 REV3 has been standardised. There is a difference to the flange pattern of the pilot valves for Type 8640 REV2. It is therefore imperative to take into account the different article numbers of the pilot valves as described in chapter **“9.3. Ordering chart replacement valves” on page 23.**
- Further information about ordering information can be found in chapter **“9.3. Ordering chart replacement valves” on page 23.**
- Further information about further valve options can be found in chapter **“9.4. Ordering chart accessories” on page 27.**

| Pilot valve Type                                   | Type 6524, Type 6525   | Type 6524  |
|--|--|--|
| <b>Circuit function</b>                            | <b>3/2 and 5/2-way valve</b>   | <b>2 x 3/2-way valve</b>   |
| <b>Product properties</b>                          |  |  |
| <b>Materials</b>                                   |  |  |
| Body   | PA (polyamide)   |  |
| Seal   | FKM, NBR and PUR   |  |
| Width per station                                  | 11 mm  |  |
| Manual override                                    | Standard   |  |
| Pneumatic module                                   | With plug-in coupling, Ø 6 mm, Ø ¼"  |  |
| <b>Performance data</b>                            |  |  |
| Pressure data                                      | Overpressure to atmospheric pressure   |  |
| Flow rate Q <sub>Nn</sub> value air                | Measured at +20 °C, 6 bar pressure at valve inlet and 1 bar difference pressure, see <b>“9.3. Ordering chart replacement valves” on page 23.</b> |  |
| Duty cycle   | Continuous operation (100 % duty cycle)  |  |
| Switching time                                     | Measured according to ISO 12238  |  |
| <b>Electrical data</b>                             |  |  |
| Operating voltage                                  | 24 V DC (10 % residual ripple permissible)   |  |
| Nominal power of each valve                        | 0.8 W  | 2 x 0.8 W with reduction of power  |
| <b>Medium data</b>                                 |  |  |
| Operating medium                                   | Oil-free or lubricated compressed dry air, neutral gases (5 µm filter recommended)   |  |
| <b>Process/Port connection &amp; communication</b> |  |  |
| Service port 2 (A), 4 (B)                          | Plug-in coupling Ø 6 mm, Ø ¼"  |  |
| Air supply connection 1 (P), 3 (R), 5 (S)          | G ¼  |  |
| Electrical connection (on valve)                   | Rectangular plug, 2-pin, grid spacing 5.08 mm<br>Cable with strands <sup>1.)</sup>   | Rectangular plug, 3-pin, grid spacing 2.54 mm<br>Cable with strands <sup>1.)</sup> |
| <b>Environment and installation</b>                |  |  |
| Installation position                              | As required, preferably with actuator upright  |  |
| Mounting condition                                 | With 2 screws M2 x 20  | With 2 screws M2 x 28  |

1.) Versions with safety-related shutdown. The switching contact must be located in the same control cabinet as the valve block. The line length must be limited to a maximum of 2 m.

DTS 1000049870 EN Version: U Status: RL (released | freigegeben | valide) printed: 04.10.2023

### 1.3. Solenoid valves Type 0460



- The solenoid valve **Type 0460** ▶ consists of a pneumatic valve body fitted with a double coil pilot valve.
- The principle allows switching of high pressures together with low power consumption and fast switching times.
- All valves are equipped with manual override as a standard.
- Further information about ordering information can be found in chapter “**Solenoid valves Type 0460**” on page 24.
- Further information about further valve options can be found in chapter “**9.4. Ordering chart accessories**” on page 27.

|  |  |
|--|--|
| <b>Pilot valve Type</b>                            | <b>Type 0460</b>   |
| <b>Circuit function</b>                            | <b>5/2-way and 5/3-way bistable</b>  |
| <b>Product properties</b>                          |  |
| <b>Materials</b>                                   |  |
| Body   | Aluminium  |
| Seal   | NBR  |
| Width per station                                  | 11 mm  |
| Manual override                                    | Standard   |
| Pneumatic module                                   | With plug-in coupling, Ø 6 mm, Ø ¼"  |
| <b>Performance data</b>                            |  |
| Pressure data                                      | Overpressure to atmospheric pressure   |
| Flow rate $Q_{Nn}$ value air                       | 300 l/min measured at +20 °C, 6 bar pressure at valve inlet and 1 bar differential pressure, see “ <b>9.3. Ordering chart replacement valves</b> ” on page 23. |
| Switching time                                     | Measured according to ISO 12238  |
| <b>Electrical data</b>                             |  |
| Operating voltage                                  | 24 V DC ± 10 %   |
| <b>Medium data</b>                                 |  |
| Operating medium                                   | Oil-free or lubricated compressed dry air, neutral gases (5 µm filter recommended)   |
| <b>Process/Port connection &amp; communication</b> |  |
| Service port 2 (A), 4 (B)                          | Plug-in coupling Ø 6 mm, Ø ¼"  |
| Air supply connection<br>1 (P), 3 (R), 5 (S)       | G ¼  |
| Electrical connection (on valve)                   | Rectangular plug, 3-pin, grid 2.54 mm  |
| <b>Environment and installation</b>                |  |
| Installation position                              | As required, preferably with actuator upright  |
| Mounting condition                                 | With 2 screws M1.7 × 23  |

1.4. Solenoid valves Type 6526 and Type 6527



- The solenoid valve **Type 6526** ▶ and **Type 6527** ▶ consist of a pneumatic valve body fitted with a **Type 6106** ▶ rocker solenoid valve.
- The operating principle allows high pressures to be switched with low power consumption and short switching times.
- The solenoid valves are equipped with manual override as a standard.
- Further information about ordering information can be found in chapter **“Solenoid valves Type 6526 and Type 6527”** on page 25.
- Further information about further valve options can be found in chapter **“9.4. Ordering chart accessories”** on page 27.

| Pilot valve Type                                   | Type 6526  | Type 6527            |
|--|--|----------------------|
| <b>Circuit function</b>                            | <b>3/2-way valve</b>   | <b>5/2-way valve</b> |
| <b>Product properties</b>                          |  |                      |
| <b>Material</b>                                    |  |                      |
| Body   | PA (polyamide)   |                      |
| Seal   | NBR  |                      |
| Width per station                                  | 16.5 mm  |                      |
| Manual override                                    | Standard   |                      |
| Pneumatic modules                                  | With plug-in coupling, Ø 8 mm  |                      |
| <b>Performance data</b>                            |  |                      |
| Pressure data                                      | Overpressure to atmospheric pressure   |                      |
| Flow Q <sub>Nn</sub> value air                     | 300 l/min measured at +20 °C, 6 bar pressure at valve inlet and 1 bar differential pressure, see <b>“9.3. Ordering chart replacement valves”</b> on page 23. |                      |
| Nominal operating mode                             | Continuous operation (100 % duty cycle)  |                      |
| Switching time                                     | Measured according to ISO 12238  |                      |
| <b>Electrical data</b>                             |  |                      |
| Operating voltage                                  | 24 V DC ± 10 %   |                      |
| Electrical connection (on valve)                   | Tag connector according to DIN EN 175301 - 803 (previously DIN 43650) form C   |                      |
| Nominal power of each valve                        | 2 W, 1 W   |                      |
| <b>Medium data</b>                                 |  |                      |
| Medium   | Oil-free or lubricated compressed dry air, neutral gases (5 µm filter recommended)   |                      |
| <b>Process/Port connection &amp; communication</b> |  |                      |
| Service port 2 (A), 4 (B)                          | Plug-in coupling, Ø 8 mm   |                      |
| Air supply connection 1 (P), 3 (R), 5 (S)          | G 3/8  |                      |
| <b>Environment and installation</b>                |  |                      |
| Installation position                              | As required, preferably with solenoid valve upright  |                      |
| Mounting condition                                 | With 2 screws M3 x 30  |                      |

DTS 1000049870 EN Version: U Status: RL (released | freigegeben | valide) printed: 04.10.2023



1.5. Solenoid valve Type 5470



- The solenoid valve **Type 5470** ▶ consist of a pneumatic valve body fitted with **Type 6106** ▶ rocker pilot valve. An armature with a tilting bearing, similar or a rocker, tilts within the body of the pilot valve, and switches the valve. The minimal tilting movement of the rocker is non-wearing, and basic lubrication is unnecessary.
- Type 5470 R is available as a 3/2 and 4/2-way valve.
- The valves can be mounted together individually using the module flange. In various applications, they can be used advantageously as valve blocks. Different variants are available for service ports 2 and 4.
- Further information about ordering information can be found in chapter [“Solenoid valves Type 5470” on page 26.](#)
- Further information about further valve options can be found in chapter [“9.4. Ordering chart accessories” on page 27.](#)

|   |  |
|---|--|
| <b>Pilot valve Type</b>   | <b>Type 5470</b>   |
| <b>Circuit function</b>   | <b>3/2-way and 4/2-way valve</b>   |
| <b>Product properties</b>   |  |
| <b>Material</b>   |  |
| Body  | PA (Polyamide)   |
| Seal  | NBR  |
| Width per station   | 18 mm  |
| Nominal diameter  | DN 4.0   |
| <b>Performance data</b>   |  |
| Nominal operating mode  | Continuous operation (100 % duty cycle)  |
| <b>Electrical data</b>  |  |
| Operating voltage   | 24 V DC, 110...120 V DC, 220...240 V DC (for alternating current, use valves with UC coil)     |
| Electrical connection (on valve)  | Tag connector according to DIN 43 650 Form C, for cable plug Type 2516                         |
| Voltage tolerance   | ± 10 %   |
| <b>Medium data</b>  |  |
| Medium  | Oil-free or lubricated compressed dry air (5 µm filter recommended)                            |
| Medium temperature  | - 10...+ 50 °C   |
| <b>Process/Port connection &amp; communication</b>  |  |
| Service port connections 2 and 4 (variants)   | Threaded port G 1/8, threaded port NPT 1/8, tube connection SL 6/4 mm, plug-in coupling Ø 6 mm |
| Air supply connections 1 and 3  | Module flange  |
| <b>Approvals and conformities</b>   |  |
| Degree of protection  | IP65 (with cable plug)   |
| Further information can be found in chapter <a href="#">“4. Approvals and conformities” on page 14.</a> |  |
| <b>Environment and installation</b>   |  |
| Installation position   | As required, preferably with actuator upright  |
| Ambient temperature   | - 10...+ 55 °C   |

DTS 1000049870 EN Version: U Status: RL (released | freigegeben | validé) printed: 04.10.2023

### 1.6. AirLINE Quick

**Note:**

The valves of Type 0460 valves cannot be installed with AirLINE Quick due to their size.

AirLINE Quick considerably reduces the use of components in the control cabinet. With the AirLINE Quick Adapter, the valve terminal is adapted directly to the control cabinet floor or control cabinet wall.

**Advantages:**

- Reduced space requirement in the control cabinet
- This makes it possible to use more compact control cabinets
- Reduced installation effort due to hose connections directly at the bottom of the control cabinet

**Product properties**

| Material              |   |
|-----------------------|---|
| AirLINE Quick Adapter | Stainless steel 1.4301<br>Anodised aluminium  |
| Pneumatic connection  | Stainless steel 1.4301<br>Nickel-plated brass |
| Valve positions       | 4, 8, 12, 16, 24                              |
| Valve functions       | Up to 48                                      |

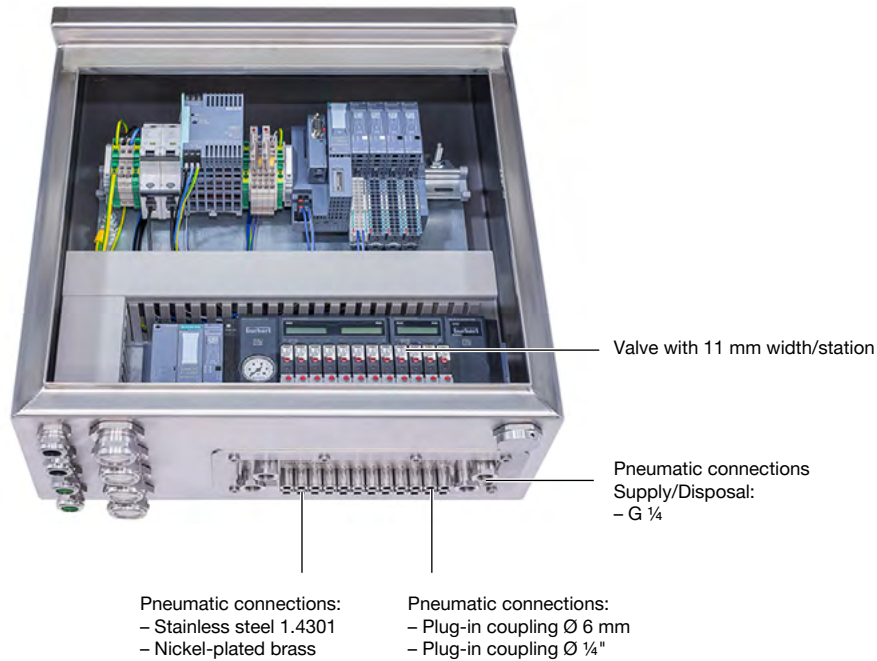
**Process/Port connection & communication**

| Connection              |                               |
|-------------------------|-------------------------------|
| Pneumatic feeding       | G ¼, D ⅜"                     |
| Pneumatic service ports | Plug-in coupling Ø 6 mm, Ø ¼" |

**Environment and installation**

|                       |   |
|-----------------------|---|
| Installation position | Control cabinet wall<br>Control cabinet floor |
|-----------------------|---|

AirLINE Quick Adapter in stainless steel 1.4301 oder anodised aluminium



DTS 1000049870 EN Version: U Status: RL (released | freigegeben | valide) printed: 04.10.2023

## 2. Product versions

### 2.1. Notes on compatibility and revision levels

The single valves Type 6524 and Type 6525, the pneumatic basic and connection modules and as well as the control cabinet base adaptation AirLINE Quick have been optimised.

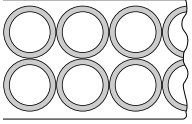
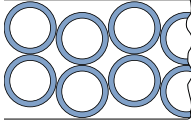
### 2.2. Distinguishing features

#### Valve island

| Revision island          | Type 8640 REV1 & 2 <sup>1.)</sup>  | Type 8640 REV3 <sup>1.)</sup>  |
|--------------------------|--|--|
| Visual distinction 11 mm |  |  |
| Visual distinction 16 mm |  |  |
| Marking on type plate    | <p>Valve island type: 8640<br/>                 Serial number: S/N 9999<br/>                 Article number: XXXXXXXXX<br/>                 Construction date: W1YMU</p> | <p>Valve island type: 8640<br/>                 Serial number: S/N 9999<br/>                 Revision marking: REV3<br/>                 Article number: XXXXXXXXX<br/>                 Construction date: W1YMU</p> |

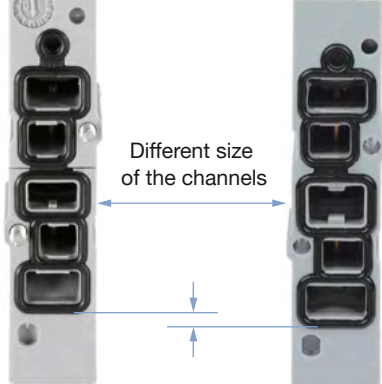
1.) If you have any questions regarding the differences in revisions, please contact your Bürkert sales department.

**Module**

| Revision island                                | Type 8640 REV1 & 2 <sup>1.)</sup>   | Type 8640 REV3 <sup>1.)</sup>   |
|--|---|---|
| Channel arrangement of the working connections | Parallel<br> | Wavy<br> |
| Colour of the release rings (hose connector)   | Black   | Blue  |
| Flow reduction with integrated P shut-off      | Up to 50 %  | Up to 20 %  |

1.) If you have any questions regarding the differences in revisions, please contact your Bürkert sales department.

**Valves**

| Valves Type 6524, Type 6525 | Valve REV1  | Valve REV2 |
|-----------------------------|---|------------|
| Visual distinction          |  <p><b>REV1</b><br/>Single valves<br/>Type 6524 and<br/>Type 6525 with<br/>flange interface<br/>FM14</p> <p>Different size<br/>of the channels</p> <p><b>REV2</b><br/>Single valves<br/>Type 6524 and<br/>Type 6525 with<br/>flange interface<br/>FM20</p> |            |
| Article no.                 | Distinction by Article no., see <b>“9.3. Ordering chart replacement valves” on page 23</b>  |            |
| Information label           | There is a information label on the valve which indicates that the valve has been overhauled. This information label must be removed before assembly.   |            |

Further information can be found in the **operating instructions Type 8640** ►.

DTS 1000049870 EN Version: U Status: RL (released | freigegeben | valide) printed: 04.10.2023

### 3. Circuit functions

#### 3.1. Standard functions

| Symbol | Description   |
|--------|---|
|        | <b>Circuit function C (CF C)</b><br>3/2-way solenoid valve<br>Servo-controlled, with manual override<br>Normally closed   |
|        | <b>Circuit function C (CF C)</b><br>2 x 3/2-way solenoid valve<br>Servo-controlled, with manual override<br>Normally closed   |
|        | <b>Circuit function D (CF D)</b><br>3/2-way solenoid valve<br>Servo-controlled, with manual override<br>Normally open   |
|        | <b>Circuit function H (CF H)</b><br>5/2-way solenoid valve<br>Servo-controlled, with manual override<br>Pressure applied via port (1), therefore one of the two ports (2) or (4) is under pressure.           |
|        | <b>Circuit function L (CF L)</b><br>5/3-way solenoid valve<br>With manual override<br>In middle position all ports locked   |
|        | <b>Circuit function N (CF N)</b><br>5/3-way solenoid valve<br>With manual override<br>In middle position ports 2 and 4 exhausted  |
|        | <b>Circuit function Z (CF Z)</b><br>5/2-way solenoid valve<br>Impulse version with 2 coils and manual override<br>Pressure applied via port (1), therefore one of the two ports (2) or (4) is under pressure. |

#### 3.2. SIA variant

| Symbol | Description   |
|--------|---|
|        | <b>Circuit function C (CF C)</b><br>3/2-way solenoid valve<br>Servo-controlled<br>Normally closed     |
|        | <b>Circuit function C (CF C)</b><br>2 x 3/2-way solenoid valve<br>Servo-controlled<br>Normally closed |
|        | <b>Circuit function D (CF D)</b><br>3/2-way solenoid valve<br>Servo-controlled<br>Normally open       |
|        | <b>Circuit function G (CF G)</b><br>4/2-way solenoid valve<br>Servo-controlled                        |

DTS 1000049870 EN Version: U Status: RL (released | freigegeben | validé) printed: 04.10.2023

## 4. Approvals and conformities

### 4.1. General notes

- The approvals and conformities listed below must be stated when making enquiries. This is the only way to ensure that the product complies with all required specifications.
- Not all available versions can be supplied with the below mentioned approvals or conformities.

### 4.2. Conformity

In accordance with the Declaration of conformity, the product is compliant with the EU Directives.

### 4.3. Standards

The applied standards which are used to demonstrate compliance with the EU Directives are listed in the EU-Type Examination Certificate and/or the EU Declaration of Conformity.

### 4.4. Explosion protection

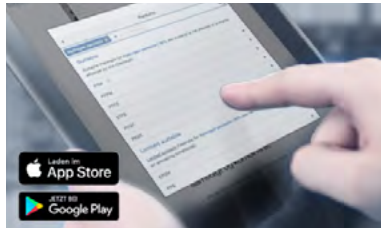
The explosion protection approvals for the individual valves can be found in the corresponding data sheets.

### 4.5. North America (USA/Canada)

The North American approvals of the individual valves can be found in the corresponding data sheets.

## 5. Materials

### 5.1. Bürkert resistApp



#### Bürkert resistApp – Chemical Resistance Chart

You want to ensure the reliability and durability of the materials in your individual application case? Verify your combination of media and materials on our website or in our resistApp.

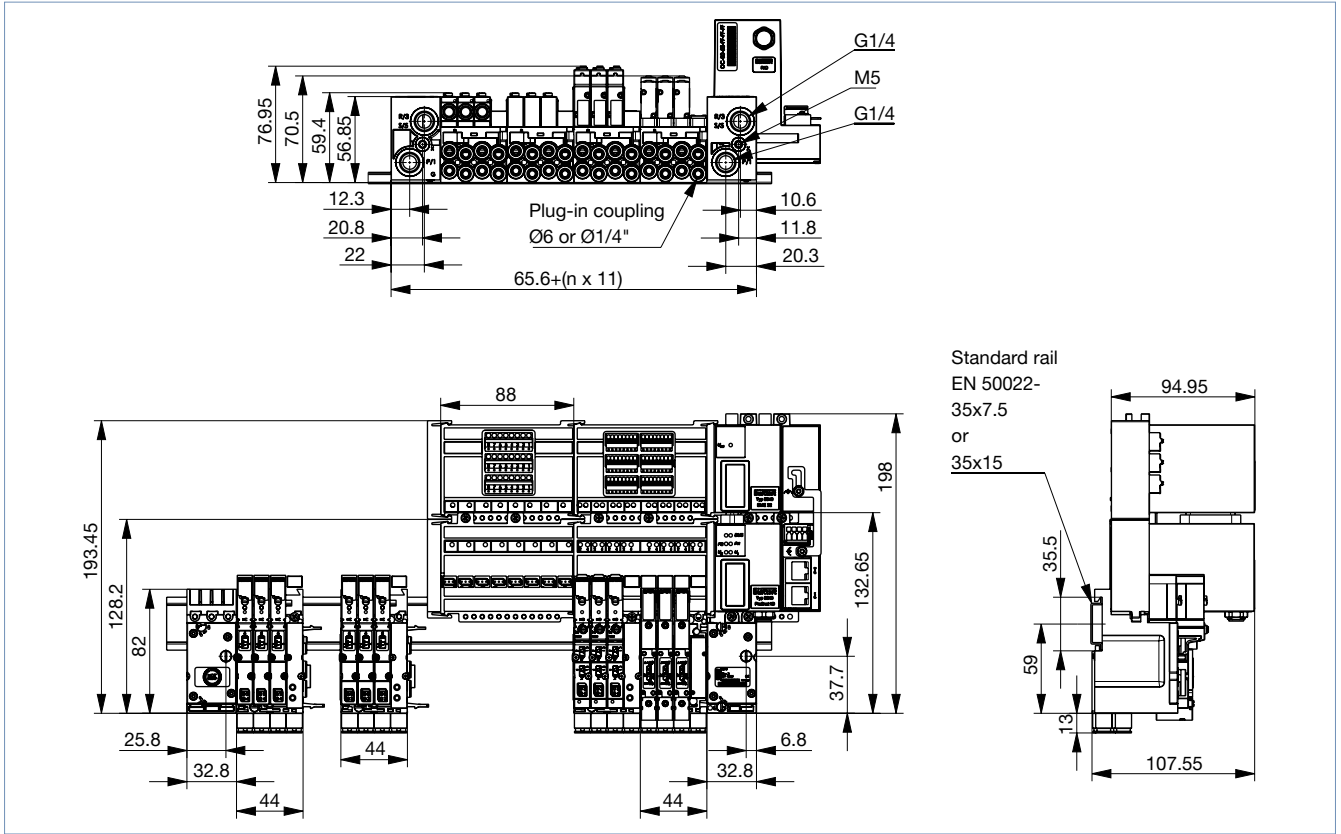
[Start Chemical Resistance Check](#)

## 6. Dimensions

### 6.1. Pneumatics 11 mm width per station

**Note:**

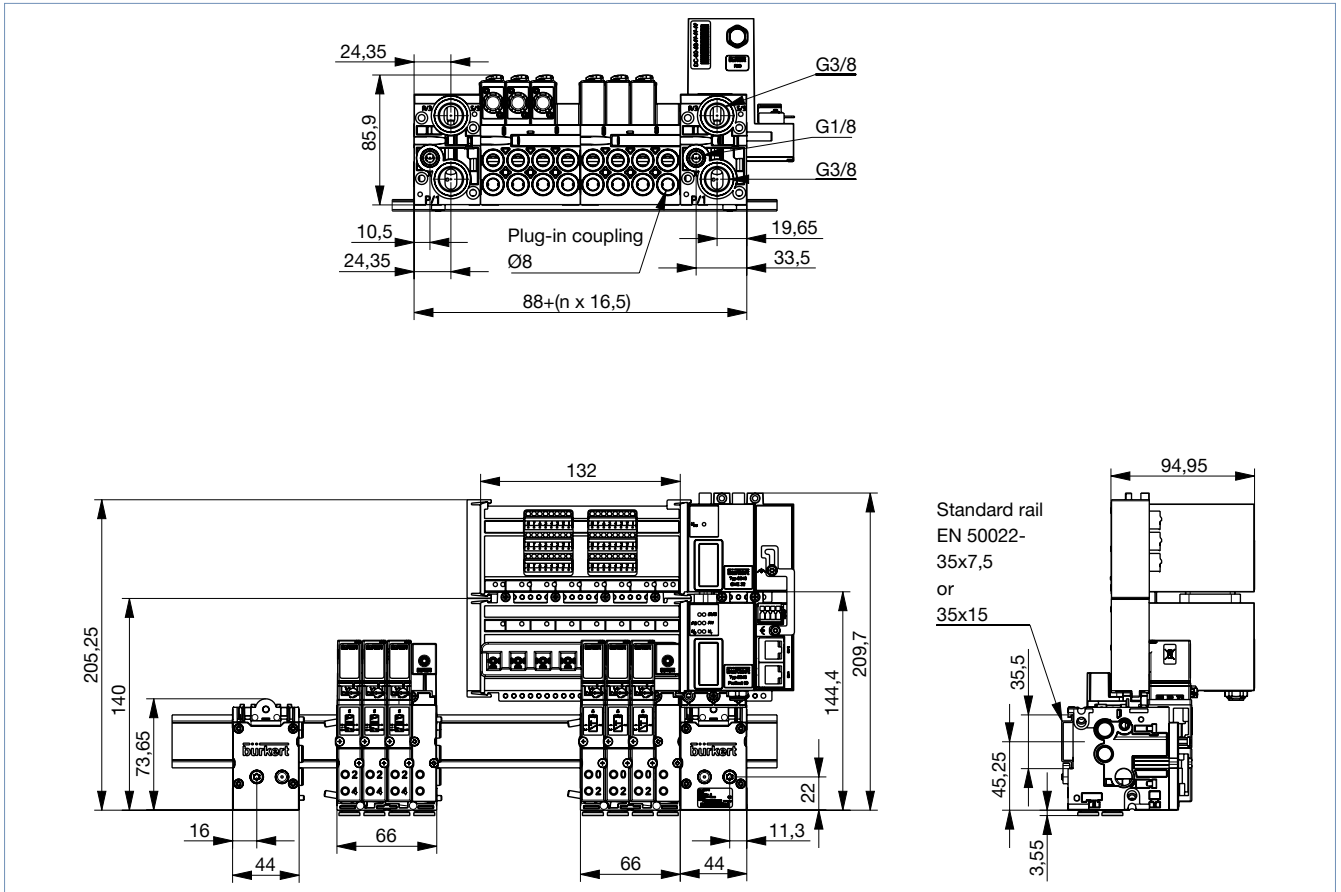
Dimensions in mm, unless otherwise stated



6.2. Pneumatics 16 mm width per station

Note:

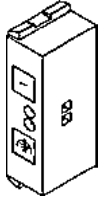
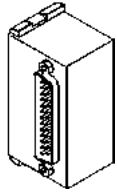
Dimensions in mm, unless otherwise stated



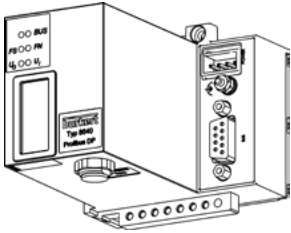
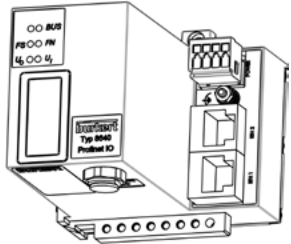


## 7. Device/Process connections

### 7.1. Collective line modules and multipol modules

| Module   | Description  |
|--|--|
| <b>Collective connection module</b><br>       | <ul style="list-style-type: none"> <li>• Connection via individual stranded wires</li> <li>• Looped-through ground potential</li> <li>• Max. 24 valves</li> <li>• Degree of protection IP20</li> <li>• Screw-type terminals</li> </ul> |
| <b>Multi-pin module<br/>Valve outputs</b><br> | <ul style="list-style-type: none"> <li>• Max. 24 valves</li> <li>• Degree of protection IP20</li> <li>• Electrical connection plug D-Sub (2-pin)</li> </ul>  |

### 7.2. Fieldbus modules

| Module   | Description  |
|--|--|
| <b>PROFIBUS DP</b><br>                          | <ul style="list-style-type: none"> <li>• Max. 24 valves</li> <li>• Degree of protection IP20</li> <li>• Max. 32 repeaters (in connection with EME module)</li> <li>• Transmission rates 9.6 / 19.2 / 93.75 / 187.5 / 500 kBaud, 1.5 / 3 / 6 / 12 MBaud</li> <li>• Power supply with rectangular plug (4-pin)</li> <li>• Bus connection D-Sub (9-pin)</li> <li>• RIO connection M8 (4-pin)</li> </ul> |
| <b>PROFINET IO, EtherNet/IP, Modbus TCP</b><br> | <ul style="list-style-type: none"> <li>• Degree of protection IP20</li> <li>• Max. 24 valves</li> <li>• Max. 32 repeaters (in connection with EME module)</li> <li>• Transmission rates 10/100 Mbits/s with Auto Crossover</li> <li>• Power supply with rectangular plug (4-pin)</li> <li>• Bus connection RJ45 (2x)</li> <li>• RIO connection M8 (4-pin)</li> </ul>                                 |

DTS 1000049870 EN Version: U Status: RL (released | freigegeben | validé) printed: 04.10.2023

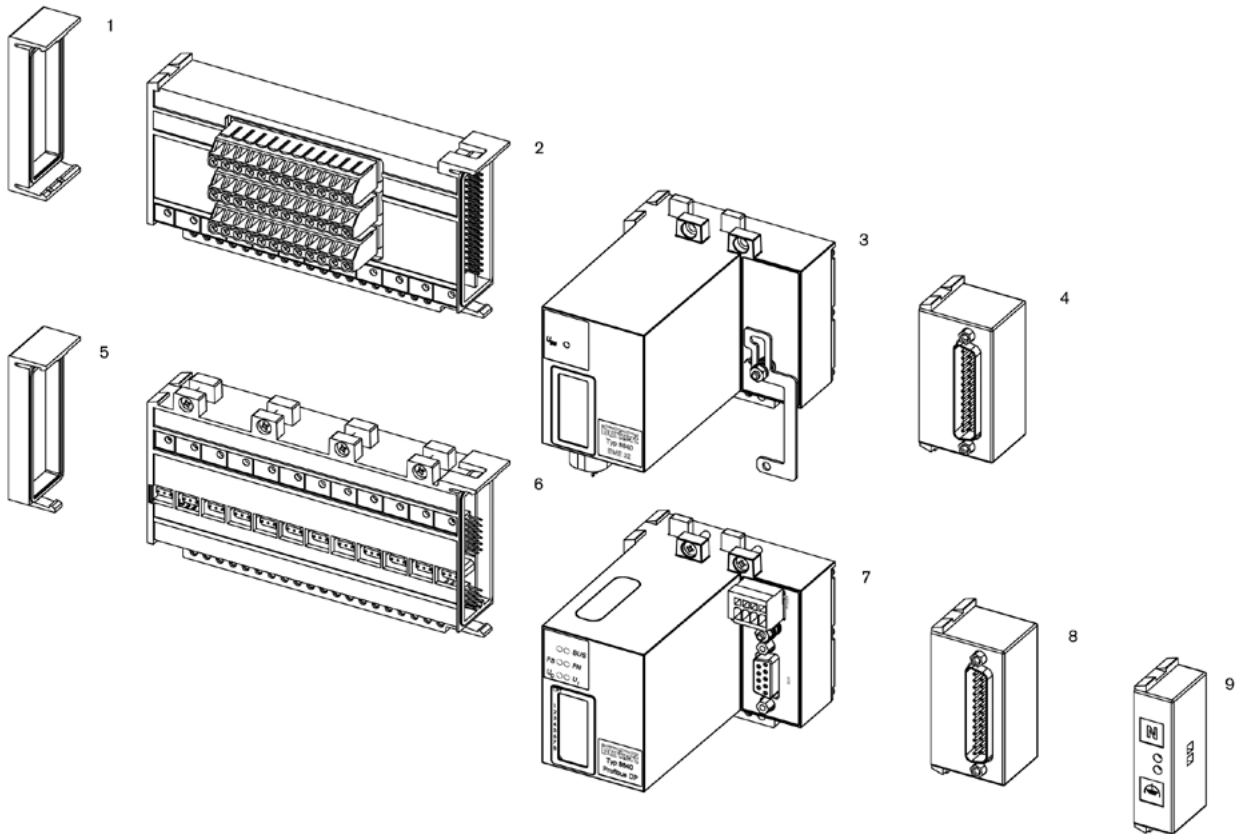
## 8. Product design and assembly

### 8.1. Product assembly

#### Electronics

**Note:**

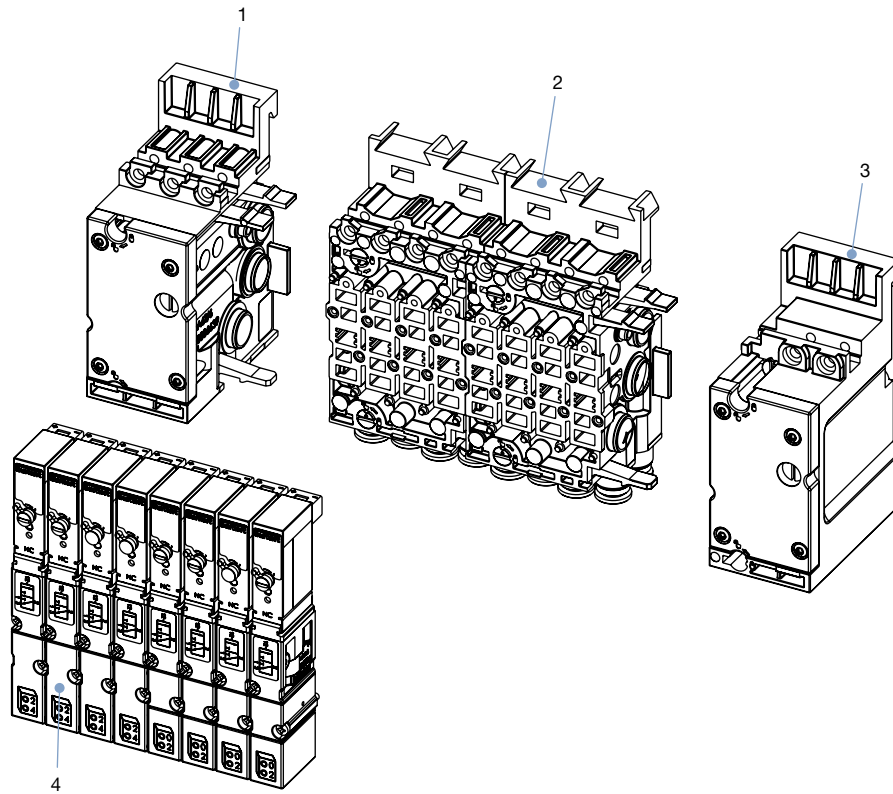
For a selection of basic electrical modules and other modules, see “7.1. Collective line modules and multipol modules” on page 17 and “7.2. Fieldbus modules” on page 17.



| No. | Element                                |
|-----|--|
| 1   | Electrical end module, left            |
| 2   | Terminal module for feedback           |
| 3   | Extension module for electrical inputs |
| 4   | Multi-pin repeater inputs (initiators) |
| 5   | Electrical end module, left            |
| 6   | Basic electrical module standard       |
| 7   | Fieldbus module                        |
| 8   | Multipin valve outputs                 |
| 9   | Common connection module               |

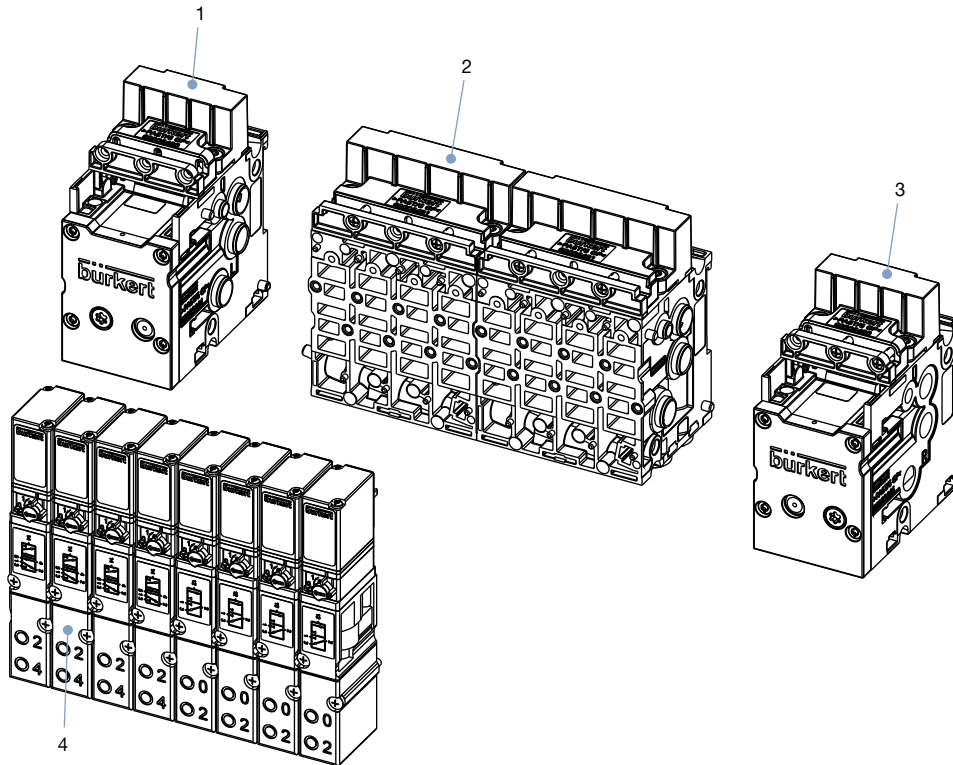
DTS 1000049870 EN Version: U Status: RL (released | freigegeben | valide) printed: 04.10.2023

Pneumatics 11 mm width per station



| No. | Element                            |
|-----|------------------------------------|
| 1   | Pneumatic connection module, left  |
| 2   | Basic pneumatic modules            |
| 3   | Pneumatic connection module, right |
| 4   | Valves (for example 5/2-way)       |

Pneumatics 16 mm width per station



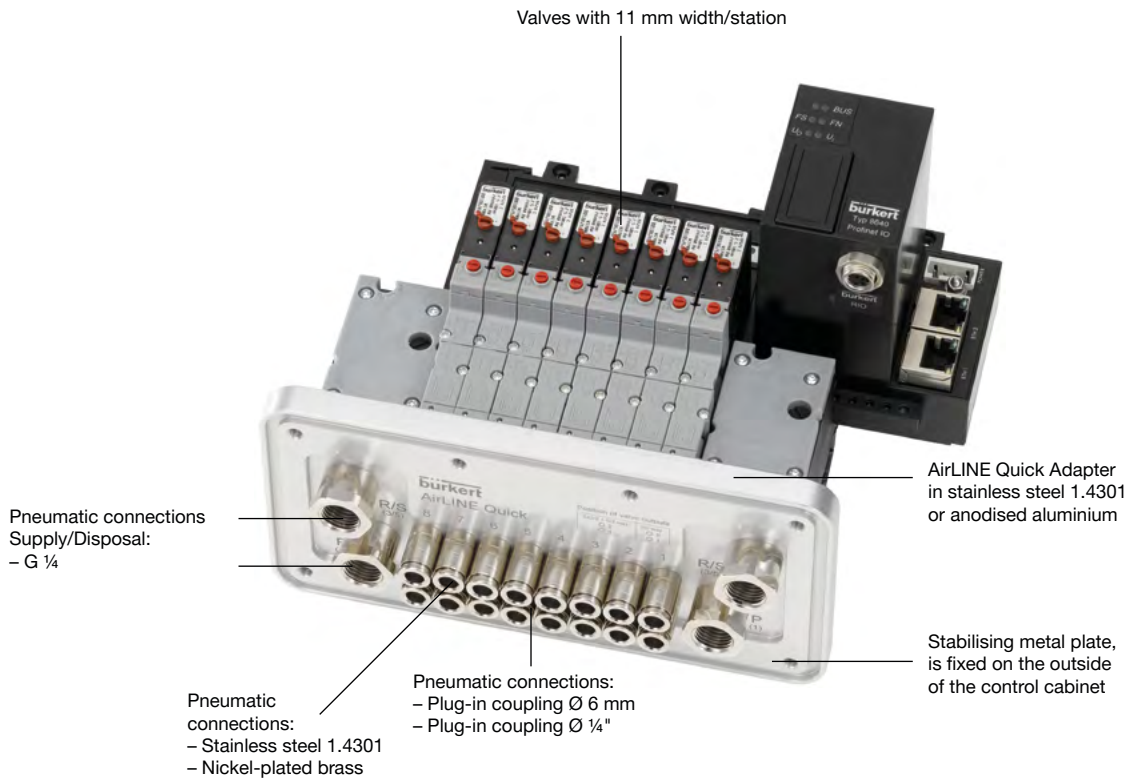
| No. | Element                            |
|-----|------------------------------------|
| 1   | Pneumatic connection module, left  |
| 2   | Basic pneumatic modules            |
| 3   | Pneumatic connection module, right |
| 4   | Valves (for example 5/2-way)       |

**AirLINE Quick adapter**

AirLINE Quick considerably reduces the use of components in the control cabinet. With the AirLINE Quick Adapter, the valve island is directly adapted on the control cabinet floor or wall.

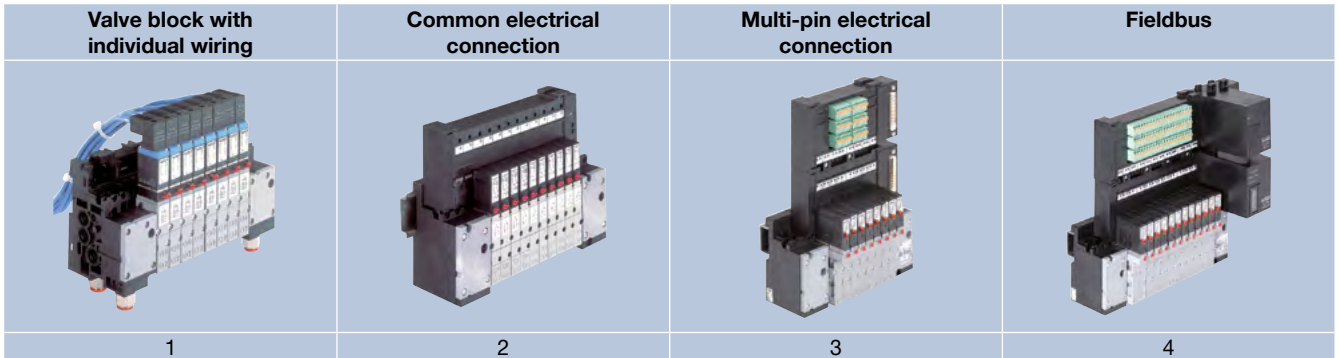
**Note:**

Type 0460 valves cannot be installed with AirLINE Quick because of their size.

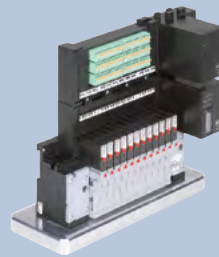


Type 8640 programme

Example:



AirLINE Quick



Adapter for valve islands on the control cabinet floor or control cabinet wall

## 9. Ordering information

### 9.1. Bürkert eShop



**Bürkert eShop – Easy ordering and quick delivery**

You want to find your desired Bürkert product or spare part quickly and order directly? Our online shop is available for you 24/7. Sign up and enjoy all the benefits.

[Order online now](#)

### 9.2. Bürkert product filter



**Bürkert product filter – Get quickly to the right product**

You want to select products comfortably based on your technical requirements? Use the Bürkert product filter and find suitable articles for your application quickly and easily.

[Try out our product filter](#)

DTS 1000049870 EN Version: U Status: RL (released | freigegeben | valide) printed: 04.10.2023

### 9.3. Ordering chart replacement valves

#### Solenoid valves Type 6524 and Type 6525

**Note:**

Further information about this product version can be found in chapter “1.2. Solenoid valves Type 6524 and Type 6525” on page 6.

| Circuit function  | Orifice<br>[mm] | Q <sub>Nn</sub> value<br>air <sup>1.)</sup><br>[l/min] | Pressure<br>range<br>[bar] | Switching times |                 | Voltage/<br>Frequency<br>[V/Hz] | Article no.                            |  |
|---|-----------------|--|----------------------------|-----------------|-----------------|---------------------------------|--|--|
|   |                 |  |                            | Opening<br>[ms] | Closing<br>[ms] |                                 | Valves for 8640<br>REV1 <sup>3.)</sup> | Valves for 8640<br>REV2 <sup>3.)</sup>   |
| <b>C (CF C)</b><br>3/2-way solenoid valve<br>Servo-controlled, with manual override<br>Normally closed<br>  | 4.0             | 300  | Vac...7                    | 15              | 20              | 24 V DC                         | 20029915 ☞<br>(186258 ☞ <sup>4.)</sup> | 20029923 ☞<br>(20013119 ☞ <sup>4.)</sup> |
|   |                 |  | 1...10 <sup>2.)</sup>      | 15              | 20              | 24 V DC                         | 20029913 ☞<br>(186257 ☞ <sup>4.)</sup> | 20029921 ☞<br>(20013114 ☞ <sup>4.)</sup> |
|   |                 |  | 2.5...10                   | 15              | 28              | 24 V DC                         | 20029910 ☞<br>(184043 ☞ <sup>4.)</sup> | 20029918 ☞<br>(365606 ☞ <sup>4.)</sup>   |
| <b>D (CF D)</b><br>3/2-way solenoid valve<br>Servo-controlled, with manual override<br>Normally open<br>  | 4.0             | 300  | 2.5...10                   | 15              | 28              | 24 V DC                         | 20029911 ☞<br>(184400 ☞ <sup>4.)</sup> | 20029919 ☞<br>(365609 ☞ <sup>4.)</sup>   |
| <b>H (CF H)</b><br>5/2-way solenoid valve<br>Servo-controlled, with manual override<br>Pressure applied via port (1), therefore one of<br>the two ports (2) or (4) is under pressure.<br> | 4.0             | 300  | 1...10 <sup>2.)</sup>      | 15              | 20              | 24 V DC                         | 20029914 ☞<br>(186271 ☞ <sup>4.)</sup> | 20029922 ☞<br>(20013117 ☞ <sup>4.)</sup> |
|   |                 |  | 2.5...10                   | 20              | 28              | 24 V DC                         | 20029912 ☞<br>(179938 ☞ <sup>4.)</sup> | 20029920 ☞<br>(365610 ☞ <sup>4.)</sup>   |
| <b>C (CF C)</b><br>2 x 3/2-way solenoid valve<br>Servo-controlled, with manual override<br>Normally closed<br>  | 4.0             | 300  | 1...10 <sup>2.)</sup>      | 12              | 20              | 24 V DC                         | 186259 ☞                               |  |
|   |                 |  | 2.5...10                   | 12              | 20              | 24 V DC                         | 186260 ☞                               |  |

1.) With integrated hot swap and/or non-return function, see chapter “2.2. Distinguishing features” on page 11  
 2.) Version with auxiliary pilot air  
 3.) If you have any questions about the compatibility of the valve revision, please contact your Bürkert sales office.  
 4.) The Article no. can no longer be ordered. Order the superordinate set instead.

DTS 1000049870 EN Version: U Status: RL (released | freigegeben | validé) printed: 04.10.2023

Solenoid valves Type 0460

Note:

Further information about this product version can be found in chapter “1.3. Solenoid valves Type 0460” on page 7.

| Circuit function  | Orifice<br>[mm] | Q <sub>Nn</sub> value<br>air <sup>1.)</sup><br>[l/min] | Pressure<br>range <sup>2.)</sup><br>[bar] | Switching times |                 | Nominal<br>power<br>[W] | Article no.<br>Valve for 8640<br>REV1, 2 & 3 |
|---|-----------------|--|---|-----------------|-----------------|-------------------------|--|
|   |                 |  |   | Opening<br>[ms] | Closing<br>[ms] |                         |  |
| <b>L (CF L)</b><br>5/3-way solenoid valve<br>With manual override<br>In middle position all ports locked<br>  | 2.5             | 200  | 2.0...7.0                                 | 15              | 20              | 1                       | 154184                                       |
| <b>N (CF N)</b><br>5/3-way solenoid valve<br>With manual override<br>In middle position ports 2 and 4<br>exhausted.<br>   | 2.5             | 200  | 2.0...7.0                                 | 15              | 20              | 1                       | 154185                                       |
| <b>Z (CF Z)</b><br>5/2-way solenoid valve<br>Impulse version with 2 coils and<br>manual override<br>Pressure applied via port (1), therefore<br>one of the two ports (2) or (4) is under<br>pressure.<br> | 2.5             | 200  | 2.0...7.0                                 | 15              | 15              | 0.5                     | 154183                                       |

1.) Measurement at +20 °C, 6 bar pressure at valve inlet and 1 bar differential pressure  
 2.) Pressure information: overpressure to atmospheric pressure

DTS 1000049870 EN Version: U Status: RL (released | freigegeben | validé) printed: 04.10.2023



Solenoid valves Type 6526 and Type 6527

Note:

Further information about this product version can be found in chapter “1.4. Solenoid valves Type 6526 and Type 6527” on page 8.

| Circuit function   | Orifice<br>[mm] | Q <sub>Nn</sub> -<br>value <sup>1.)</sup> air<br>[l/min] | Pressure<br>range <sup>2.)</sup><br>[bar] | Switching times |                 | Nominal<br>power<br>[W] | Voltage/<br>Frequency<br>[V/Hz] | Article no.<br>Valve for 8640<br>REV1, 2 & 3 |
|--|-----------------|--|---|-----------------|-----------------|-------------------------|---------------------------------|--|
|  |                 |  |   | Opening<br>[ms] | Closing<br>[ms] |                         |                                 |  |
| <b>C (CF C)</b><br>3/2-way solenoid valve<br>Servo-controlled,<br>with manual override<br>Normally closed<br>  | 6               | 700  | 1.0...10 <sup>1.)</sup>                   | 20              | 12              | 2                       | 24 V DC                         | 156842                                       |
|  |                 |  | 1.0...10 <sup>1.)</sup>                   | 20              | 12              | 2                       | 24 V DC                         | 163028                                       |
|  |                 |  | 2.0...10                                  | 20              | 12              | 2                       | 24 V DC                         | 156318                                       |
|  |                 |  | 2.0...10                                  | 20              | 12              | 2                       | 24 V DC                         | 158944                                       |
|  |                 |  | 2.0...8.0                                 | 20              | 17              | 1                       | 24 V DC                         | 156840                                       |
|  |                 |  | 2.0...8.0                                 | 20              | 12              | 1                       | 24 V DC                         | 158947                                       |
| <b>D (CF D)</b><br>3/2-way solenoid valve<br>Servo-controlled,<br>with manual override<br>Normally open<br>  | 6               | 700  | 1.0...10 <sup>1.)</sup>                   | 20              | 12              | 2                       | 24 V DC                         | 163029                                       |
|  |                 |  | 2.0...10                                  | 12              | 20              | 2                       | 24 V DC                         | 156320                                       |
|  |                 |  | 2.0...10                                  | 20              | 12              | 2                       | 24 V DC                         | 158946                                       |
|  |                 |  | 2.0...8.0                                 | 17              | 20              | 1                       | 24 V DC                         | 156841                                       |
| <b>H (CF H)</b><br>5/2-way solenoid valve<br>Servo-controlled, with<br>manual override<br>Pressure applied via port<br>(1), therefore one of the<br>two ports (2) or (4) is under<br>pressure.<br> | 6               | 700  | 1.0...10 <sup>1.)</sup>                   | 20              | 12              | 2                       | 24 V DC                         | 156828                                       |
|  |                 |  | 1.0...10 <sup>1.)</sup>                   | 20              | 12              | 2                       | 24 V DC                         | 163030                                       |
|  |                 |  | 2.0...10                                  | 20              | 12              | 2                       | 24 V DC                         | 156337                                       |
|  |                 |  | 2.0...10                                  | 20              | 12              | 2                       | 24 V DC                         | 158942                                       |
|  |                 |  | 2.0...8.0                                 | 20              | 17              | 1                       | 24 V DC                         | 156827                                       |
|  |                 |  | 2.0...8.0                                 | 20              | 12              | 1                       | 24 V DC                         | 158943                                       |

1.) Measurement at +20 °C, 6 bar pressure at valve inlet and 1 bar differential pressure  
 2.) Pressure information: overpressure to atmospheric pressure

DTS 1000049870 EN Version: U Status: RL (released | freigegeben | validé) printed: 04.10.2023

Solenoid valves Type 5470

Note:

Further information about this product version can be found in chapter “1.5. Solenoid valve Type 5470” on page 9.

| Circuit function  | Orifice | Q <sub>Nn</sub> -<br>value <sup>1.)</sup> air | Service ports<br>4 and 2  | Pressure<br>range <sup>2.)</sup> | Nominal<br>power | Voltage/<br>Frequency | Article no.<br>Valve islands | Article no.<br>Valve blocks |
|---|---------|---|---|----------------------------------|------------------|-----------------------|------------------------------|-----------------------------|
|   | [mm]    |   |   | [bar]                            | [W]              | [V/Hz]                |                              |                             |
| <b>C (CF C)</b><br>3/2-way solenoid valve<br>Servo-controlled, with<br>manual override<br>Normally closed<br> | 4       | 300   | Plug-in<br>coupling<br>Ø 6 mm,<br>below                               | 2...8                            | 1                | 24 V DC               | 132479 ☒                     | 135203 ☒                    |
|   |         |   |   | 2...10                           | 2                | 24 V DC               | 133148 ☒                     | 135204 ☒                    |
|   |         |   |   | 2...10                           | 3                | 110...120 DC          | -                            | 132952 ☒                    |
|   |         |   |   | 2...10                           | 3                | 220...240 DC          | -                            | 132953 ☒                    |
| <b>D (CF D)</b><br>3/2-way solenoid valve<br>Servo-controlled, with<br>manual override<br>Normally open<br>   | 4       | 300   | Plug-in<br>coupling<br>Ø 6 mm,<br>below                               | 2...8                            | 1                | 24 V DC               | 132481 ☒                     | 136742 ☒                    |
|   |         |   |   | 2...10                           | 2                | 24 V DC               | 136741 ☒                     | 136743 ☒                    |
|   |         |   |   | 2...10                           | 3                | 110...120 DC          | -                            | 136744 ☒                    |
|   |         |   |   | 2...10                           | 3                | 220...240 DC          | -                            | 136745 ☒                    |
| <b>G (CF G)</b><br>4/2-way solenoid valve<br>Servo-controlled<br>   | 4       | 300   | Plug-in<br>coupling<br>Ø 6 mm, front                                  | 2...8                            | 1                | 24 V DC               | 132487 ☒                     | 135205 ☒                    |
|   |         |   |   | 2...10                           | 2                | 24 V DC               | 133149 ☒                     | 135206 ☒                    |
|   |         |   |   | 2...10                           | 3                | 110...120 DC          | -                            | 132954 ☒                    |
|   |         |   |   | 2...10                           | 3                | 220...240 DC          | -                            | 132955 ☒                    |
|   | 4       | 300   | Plug-in<br>coupling<br>Ø 6 mm,<br>below                               | 2...8                            | 1                | 24 V DC               | 132489 ☒                     | 135207 ☒                    |
|   |         |   |   | 2...10                           | 2                | 24 V DC               | 133150 ☒                     | 135208 ☒                    |
|   |         |   |   | 2...10                           | 3                | 110...120 DC          | -                            | 132956 ☒                    |
|   |         |   |   | 2...10                           | 3                | 220...240 DC          | -                            | 132957 ☒                    |
|   | 4       | 300   | Plug-in<br>coupling<br>Ø 6 mm, front<br>with throttle-<br>check valve | 2...8                            | 1                | 24 V DC               | 132488 ☒                     | 135209 ☒                    |
|   |         |   |   | 2...10                           | 2                | 24 V DC               | 133151 ☒                     | 135210 ☒                    |
|   |         |   |   | 2...10                           | 3                | 110...120 DC          | -                            | 133152 ☒                    |
|   |         |   |   | 2...10                           | 3                | 220...240 DC          | -                            | 133153 ☒                    |
|   | 4       | 300   | Threaded port<br>G 1/8, front   | 2...8                            | 1                | 24 V DC               | 132483 ☒                     | 135211 ☒                    |
|   |         |   |   | 2...10                           | 2                | 24 V DC               | 133157 ☒                     | 135212 ☒                    |
|   |         |   |   | 2...10                           | 3                | 110...120 DC          | -                            | 132958 ☒                    |
|   |         |   |   | 2...10                           | 3                | 220...240 DC          | -                            | 132959 ☒                    |
|   | 4       | 300   | Threaded port<br>G 1/8, front,<br>with throttle-<br>check valve       | 2...8                            | 1                | 24 V DC               | 132484 ☒                     | 135213 ☒                    |
|   |         |   |   | 2...10                           | 2                | 24 V DC               | 133159 ☒                     | 135214 ☒                    |
|   |         |   |   | 2...10                           | 3                | 110...120 DC          | -                            | 133160 ☒                    |
|   |         |   |   | 2...10                           | 3                | 220...240 DC          | -                            | 133161 ☒                    |
| 4   | 300     | Tube connec-<br>tion<br>SL6/4<br>mm, front    | 2...8   | 1                                | 24 V DC          | 133162 ☒              | 135215 ☒                     |                             |
|   |         |   | 2...10  | 2                                | 24 V DC          | 133163 ☒              | 135216 ☒                     |                             |
|   |         |   | 2...10  | 3                                | 110...120 DC     | -                     | 133164 ☒                     |                             |
|   |         |   | 2...10  | 3                                | 220...240 DC     | -                     | 133166 ☒                     |                             |

1.) Measurement at +20 °C, 6 bar pressure at valve inlet and 1 bar differential pressure

2.) Pressure information: overpressure to atmospheric pressure

DTS 1000049870 EN Version: U Status: RL (released | freigegeben | valide) printed: 04.10.2023

### 9.4. Ordering chart accessories

#### Cover plate

**Note:**

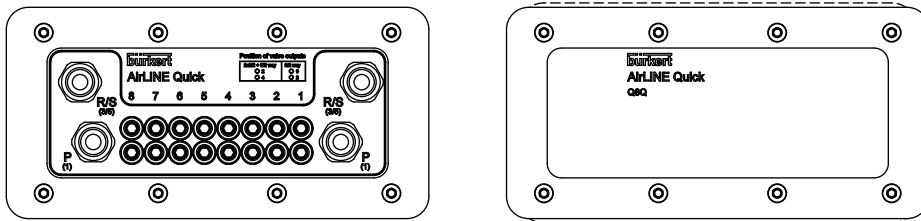
If not all the valve connections in a basic valve unit module are used, then these connections should be covered by the appropriate cover plate to ensure full efficiency.

| Cover plate  | Article no. |
|--|-------------|
| Cover plate for solenoid valves Type 6524/6525 (REV1)      | 650373      |
| Cover plate for solenoid valves Type 6524/6525 (REV2)      | 661092      |
| Cover plate for solenoid valves Type 6524 2x 3/2-way valve | 661092      |
| Cover plate for solenoid valves Type 0460                  | 655069      |
| Cover plate for solenoid valves Type 6526/6527             | 653765      |
| Cover plate for solenoid valves Type 0461                  | 657490      |

#### Blind plates AirLINE Quick

**Note:**

A blind plate is used to cover an existing flange for AirLINE Quick on the cabinet wall or on the cabinet floor.



| Description  | Article no. |
|--|-------------|
| Blind plate AirLINE Quick, 4-fold  | 20057391    |
| Blind plate AirLINE Quick, 8-fold  | 20057390    |
| Blind plate AirLINE Quick, 12-fold   | 20057388    |
| Blind plate AirLINE Quick, 16-fold   | 20057387    |
| Blind plate AirLINE Quick (valve terminal with intermediate supply), 16-fold | 20056955    |
| Blind plate AirLINE Quick, 24-fold   | 20057392    |
| Blind plate AirLINE Quick (valve terminal with intermediate supply), 24-fold | 20057394    |

#### Bus Y-piece

**Note:**

For the bus Y-piece for PROFIBUS, a pre-assembled and a free-assembled connector must be used.

| Cover plates | Description                         | Article no. |
|--------------|-------------------------------------|-------------|
|              | PROFIBUS Y-piece, M12, 5-pin, 21 mm | 920625      |

#### RIO cable for bus extension

| Cable     | Article no. |
|-----------|-------------|
| 1 m cable | 917498      |

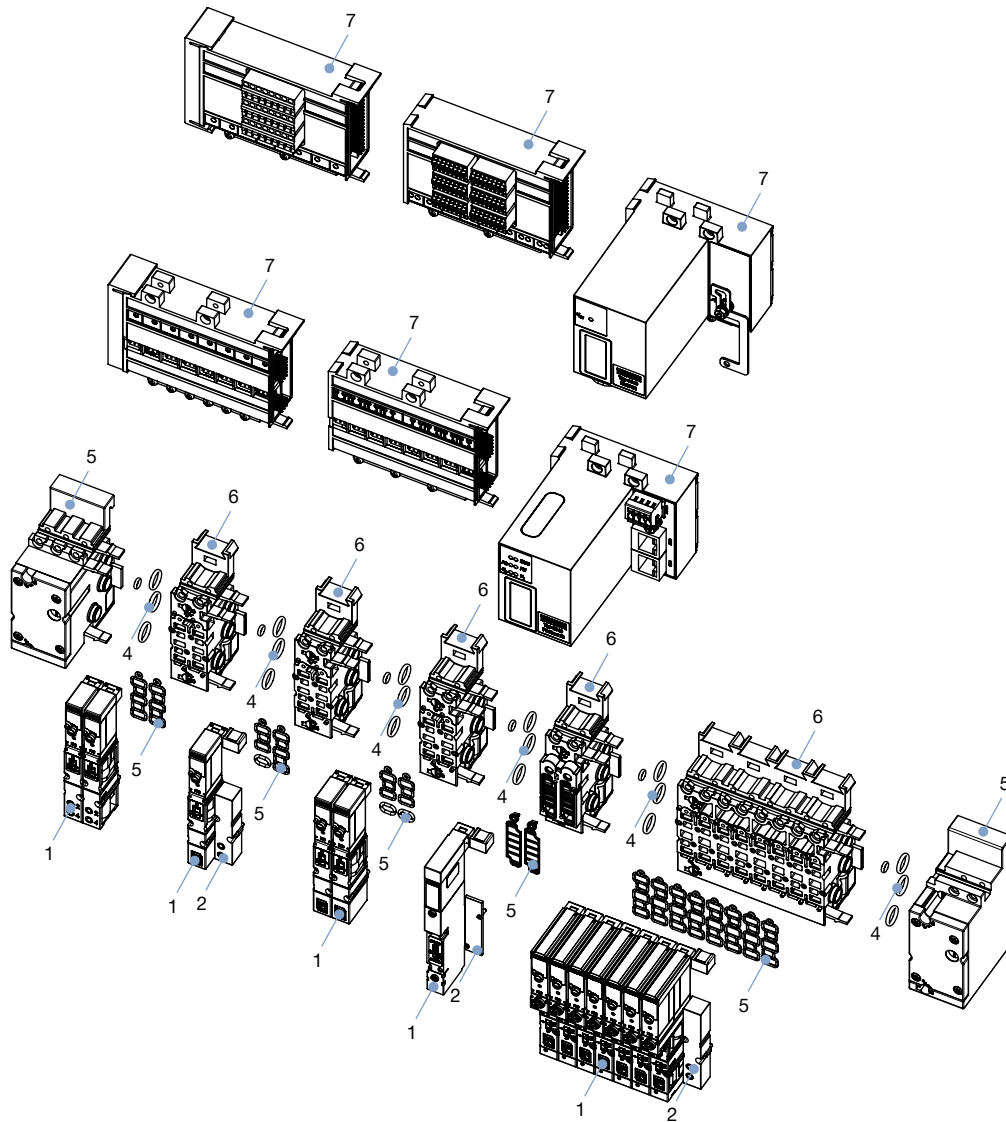
DTS 1000049870 EN Version: U Status: RL (released | freigegeben | valide) printed: 04.10.2023

### 9.5. Ordering chart spare parts

Spare parts SVVI for Type 8640, REV1, REV2 – Pneumatics 11 mm width per station

| Pos. | Description   | Content | Article no. |
|------|---|---------|-------------|
| 1    | Spare valves see “9.3. Ordering chart replacement valves” on page 23              | –       | –           |
| 2    | Cover plate see “9.4. Ordering chart accessories” on page 27                      | –       | –           |
| 3    | <b>Set of valve seals</b>   | –       | –           |
|      | Spare valve seals FM20 for Type 6524, 2 x 3/2-way solenoid valve                  | 12      | 20016305    |
|      | Spare valve seals FM15 for Type 6524, 3/2-way solenoid valve                      | 12      | 20024333    |
|      | Spare valve seats FM14 for Type 6525, 5/2-way solenoid valve                      | 12      | 20024334    |
|      | Spare valve seals FM16 for Type 0460  | 12      | 20024330    |
| 4    | <b>Sets of module seals</b>   | –       | –           |
|      | Spare module seals for Type MP11  | 4       | 20040779    |
| 5    | <b>Supply units</b>   | o. r.   | o. r.       |
| 6    | <b>Base modules</b>   | o. r.   | o. r.       |
| 7    | <b>Sets of electronic modules</b>   | –       | –           |
| 8    | <b>AirLINE Quick spare parts</b> see “9.4. Ordering chart accessories” on page 27 | –       | –           |

o. r. = on request

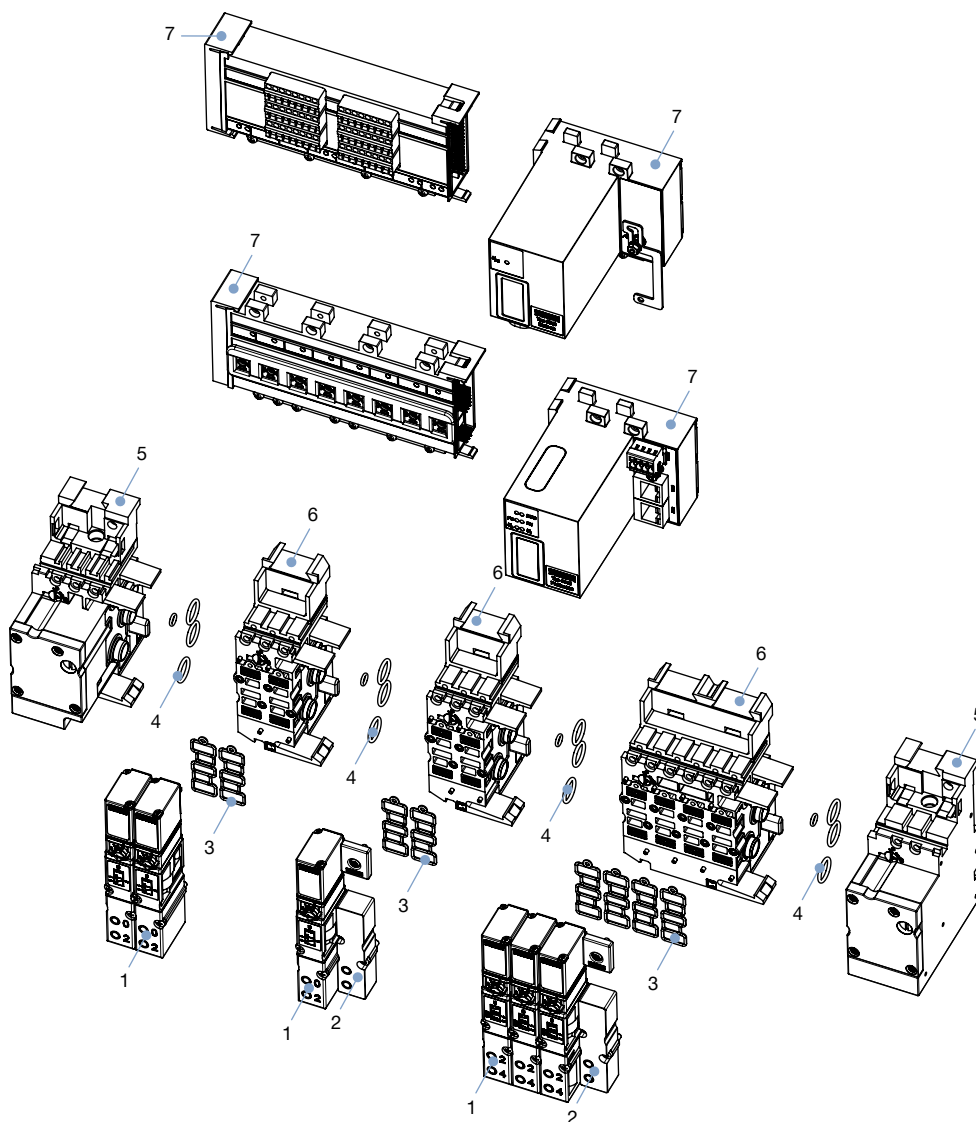


DTS 1000049870 EN Version: U Status: RL (released | freigegeben | valide) printed: 04.10.2023

Spare parts SVVI for Type 8640, REV1, REV2 – Pneumatics 16 mm width per station

| Pos. | Description   | Content  | Article no.          |
|------|---|----------|----------------------|
| 1    | Spare valves see “9.3. Ordering chart replacement valves” on page 23  | –        | –                    |
| 2    | Cover plate see “9.4. Ordering chart accessories” on page 27  | –        | –                    |
| 3    | <b>Set of valve seals</b><br>Spare valve seals FM17 for Type 6526 and Type 6527<br>Spare valve seals FM19 for Type 0461 | 12<br>12 | 20016307<br>20024337 |
| 4    | <b>Sets of module seals</b><br>Spare module seals for Type MP12   | –<br>4   | –<br>20036699        |
| 5    | <b>Supply units</b>   | o. r.    | o. r.                |
| 6    | <b>Base modules</b>   | o. r.    | o. r.                |
| 7    | <b>Electronic modules</b>   | o. r.    | o. r.                |

o. r. = on request

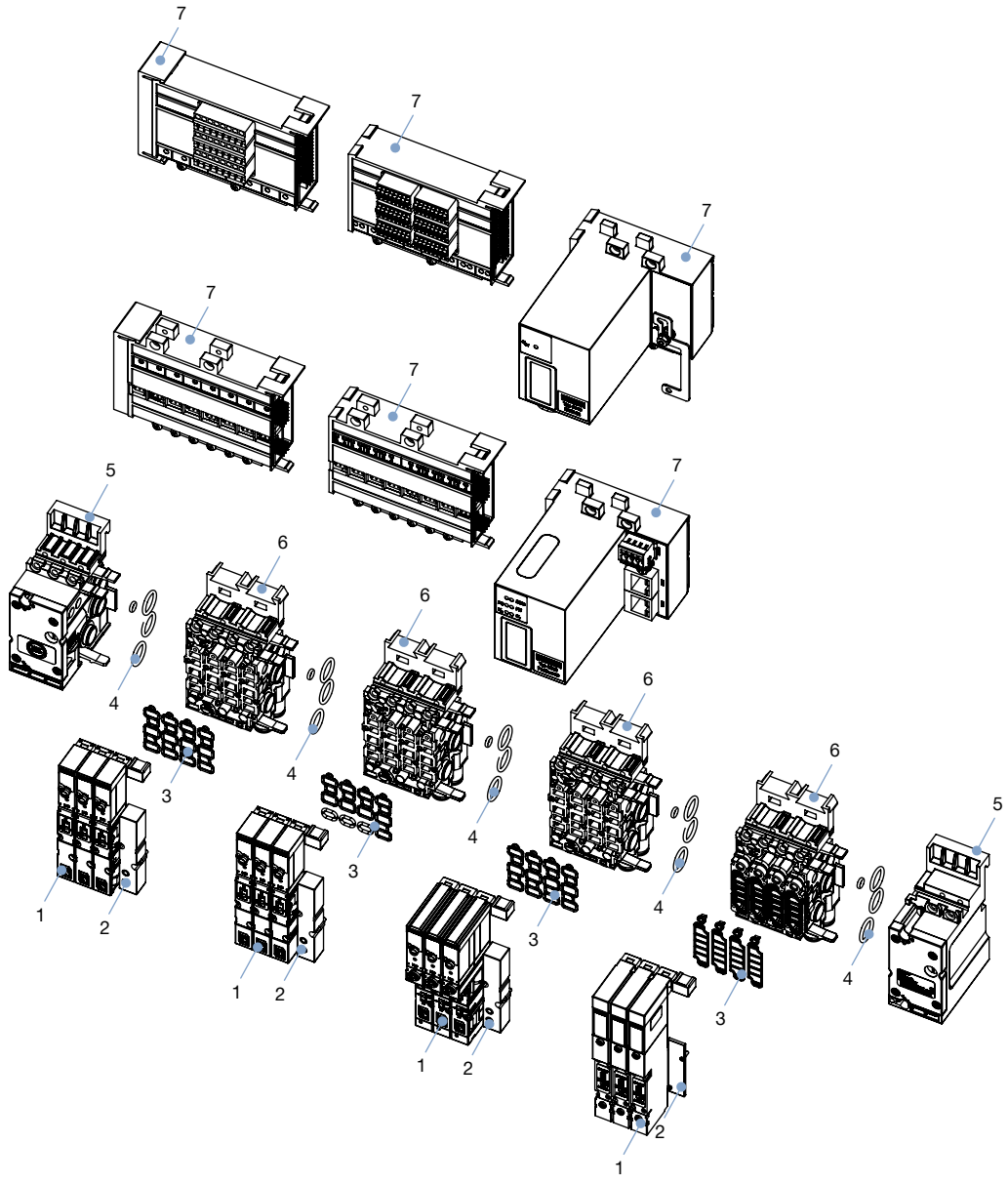


Spare parts SVVI for Type 8640, REV3 – Pneumatics 11 mm width per station

| Pos. | Description   | Content | Article no. |
|------|---|---------|-------------|
| 1    | <b>Spare valves</b> see “9.3. Ordering chart replacement valves” on page 23       | –       | –           |
| 2    | <b>Cover plate</b> see “9.4. Ordering chart accessories” on page 27               | –       | –           |
| 3    | <b>Set of valve seals</b>   | –       | –           |
|      | Spare valve seals FM20 for Type 6524, 2 x 3/2-way solenoid valve                  | 12      | 20016305    |
|      | Spare valve seals FM24 for Type 6524  | 12      | 20024336    |
|      | Spare valve seals FM16 for Type 0460  | 12      | 20024330    |
| 4    | <b>Sets of module seals</b>   | –       | –           |
|      | Spare module seals for Type MP16  | 4       | 20024339    |
| 5    | <b>Supply units</b>   | o. r.   | o. r.       |
|      | Supply unit right for Type 8640, 11 mm, G ¼                                       | 1       | 20040351    |
|      | Supply unit left for Type 8640, 11 mm, G ¼  | 1       | 20040352    |
| 6    | <b>Base modules</b>   | –       | –           |
|      | Base unit for Type 8640, 8644, 8647, 11 mm, 4-fold, D6, FM20                      | 1       | 20040334    |
|      | Base unit for Type 8640, 8644, 8647, 11 mm, 4-fold, D6, FM20, Hot Swap, RSV       | 1       | 20040335    |
|      | Base unit for Type 8640, 8644, 8647, 11 mm, 4-fold, D¼, FM20                      | 1       | 20040337    |
|      | Base unit for Type 8640, 8644, 8647, 11 mm, 4-fold, D¼, FM20, Hot Swap, RSV       | 1       | 20040339    |
|      | Base unit for Type 8640, 8644, 8647, 11 mm, 4-fold, D6, FM16                      | 1       | 20040340    |
|      | Base unit for Type 8640, 8644, 8647, 11 mm, 4-fold, D6, FM16, RSV                 | 1       | 20040343    |
|      | Base unit for Type 8640, 8644, 8647, 11 mm, 4-fold, D¼, FM16                      | 1       | 20040344    |
|      | Base unit for Type 8640, 8644, 8647, 11 mm, 4-fold, D¼, FM16, RSV                 | 1       | 20040345    |
| 7    | <b>Electronic modules</b>   | –       | –           |
|      | Electrical base module for Type 8644, 11 mm, 2-fold, impulse valve                | 1       | 20040558    |
|      | Electrical base module for Type 8644, 11 mm, 8-fold, impulse valve                | 1       | 20040559    |
|      | Electrical base module for Type 8644, 11 mm, 2-fold, single valve                 | 1       | 20040560    |
|      | Electrical base module for Type 8644, 11 mm, 8-fold, single valve                 | 1       | 20040561    |
|      | Electrical base module for Type 8644, 11 mm, 2-fold, double valve                 | 1       | 20040562    |
|      | Electrical base module for Type 8644, 11 mm, 8-fold, double valve                 | 1       | 20040563    |
| 8    | <b>AirLINE Quick spare parts</b> see “9.4. Ordering chart accessories” on page 27 | –       | –           |

o. r. = on request

DTS 1000049870 EN Version: U Status: RL (released | freigegeben | validé) printed: 04.10.2023

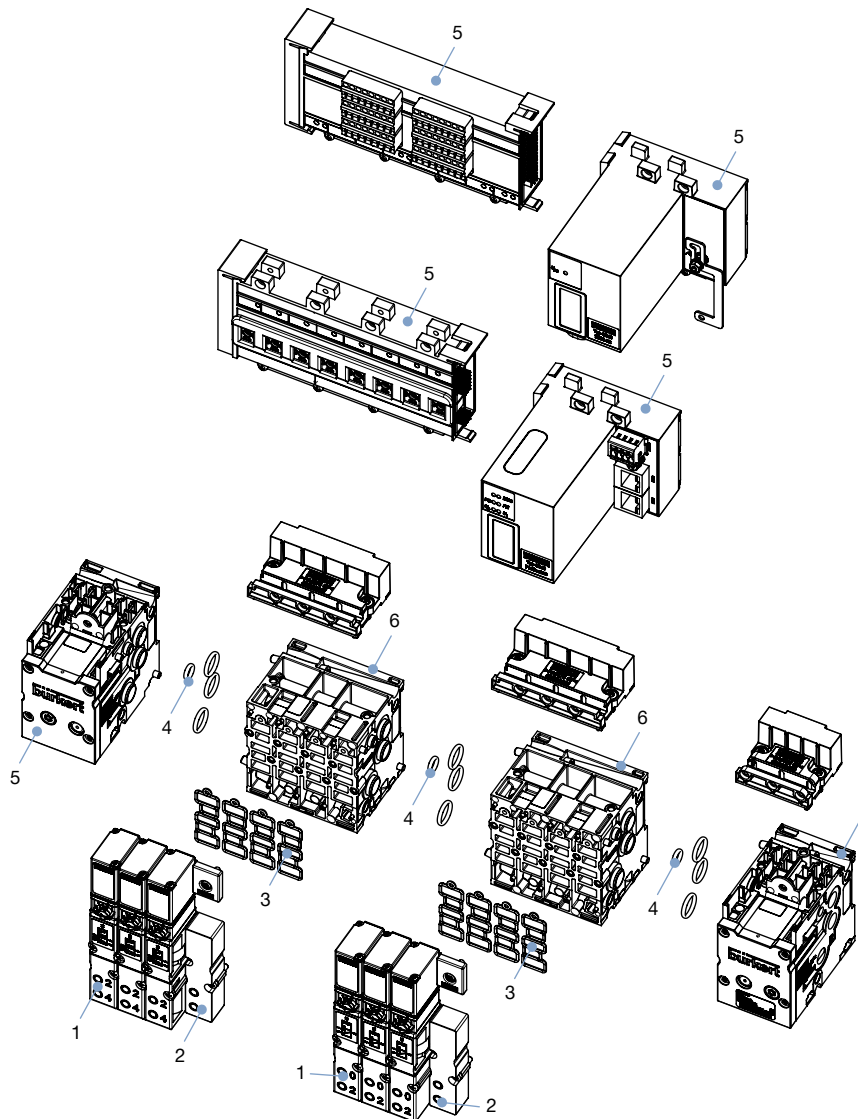


DTS 1000049870 EN Version: U Status: RL (released | freigegeben | validé) printed: 04.10.2023

Spare parts SVVI for Type 8640, REV3 – Pneumatics 16 mm width per station

| Pos. | Description  | Content         | Article no.                   |
|------|--|-----------------|-------------------------------|
| 1    | <b>Spare valves</b> see “9.3. Ordering chart replacement valves” on page 23  | –               | –                             |
| 2    | <b>Cover plate</b> see “9.4. Ordering chart accessories” on page 27  | –               | –                             |
| 3    | <b>Set of valve seals</b><br>Spare valve seals FM17 for Type 6526 and Type 6527  | 12              | 20016307                      |
| 4    | <b>Sets of module seals</b><br>Spare module seals for type MP17  | 4               | 20016310                      |
| 5    | <b>Supply units</b><br>Right supply unit for Type 8640, 16 mm, G 3/8<br>Left supply unit for Type 8640, 16 mm, G 3/8             | 1<br>1          | 20042796<br>20042793          |
| 6    | <b>Base modules</b><br>Base unit for Type 8640, 16 mm, 4-fold, D8, FM17<br>Base unit for Type 8640, 16 mm, 4-fold, D8, FM17, RSV | o. r.<br>1<br>1 | o. r.<br>20042790<br>20042792 |
| 7    | <b>Electronic modules</b>  | o. r.           | o. r.                         |

o. r. = on request



DTS 1000049870 EN Version: U Status: RL (released | freigegeben | valide) printed: 04.10.2023